



iMOW
by EP EQUIPMENT

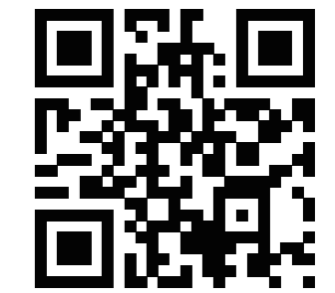
iMOW
by EP EQUIPMENT

ICE301/ICE351

Electric Counterbalance Forklift Truck 3.0/3.5T

- Lithium-ion technology
- Low TCO
- Easy driving
- Brilliant visibility
- Telematics

iMOW
www.imowshop.com



Scan and Enter iMOW Website

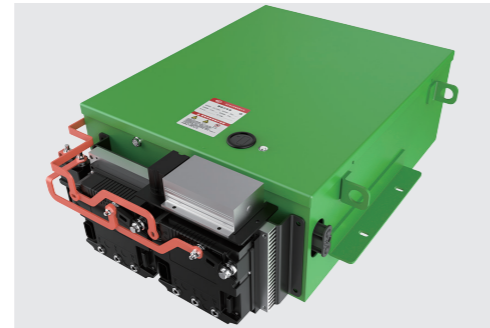


iMOW
📍 NO.121 Yonghua Street, Shiqiao Road, Xia Cheng Qu , Hangzhou, China 📞 86-571-28035665
☎ 86-571-28035656/28878695 🌐 www.imowshop.com ✉ info@imowshop.com

PRODUCT FEATURES

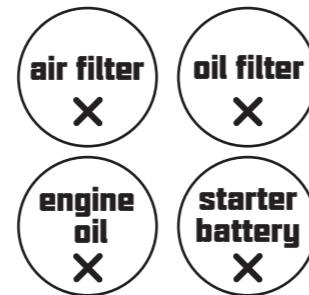
■ Lithium-ion technology

ICE 301/ICE 351 adapts LFP Li-ion battery that prevents the battery from self-ignition and ensures safety operation. ICE 301/ICE 351 supports opportunity charging so it can be charged at preferable time during the day without disrupting working schedules.



■ Low TCO

Comparing to a diesel forklift truck, ICE 301/ICE 351 saves 30%-50% of energy cost with li-ion technology. And there is no maintenance fee with no air filter, oil filter, engine oil or starter battery installed on the truck.



■ Easy driving

The truck is equipped with mechanical braking system. The system shortens the braking distance to ensure safety while reducing the driving fatigue in the meantime.



■ IPX4 rated water-protected design

The ice301/351 is IPX4 rated and that protects the trucks from splash of water from different angles. The waterproofed design allows the trucks to be operated outdoors, even in the rain.



■ Telematics

ICE 301/ICE 351 offers EP' s latest Telematics. It provides the following features to facilitate your fleet management:

- Truck location in real-time
- Reports of truck usages and diagnosis
- Li-ion battery condition analytics
- Updates on card access registration



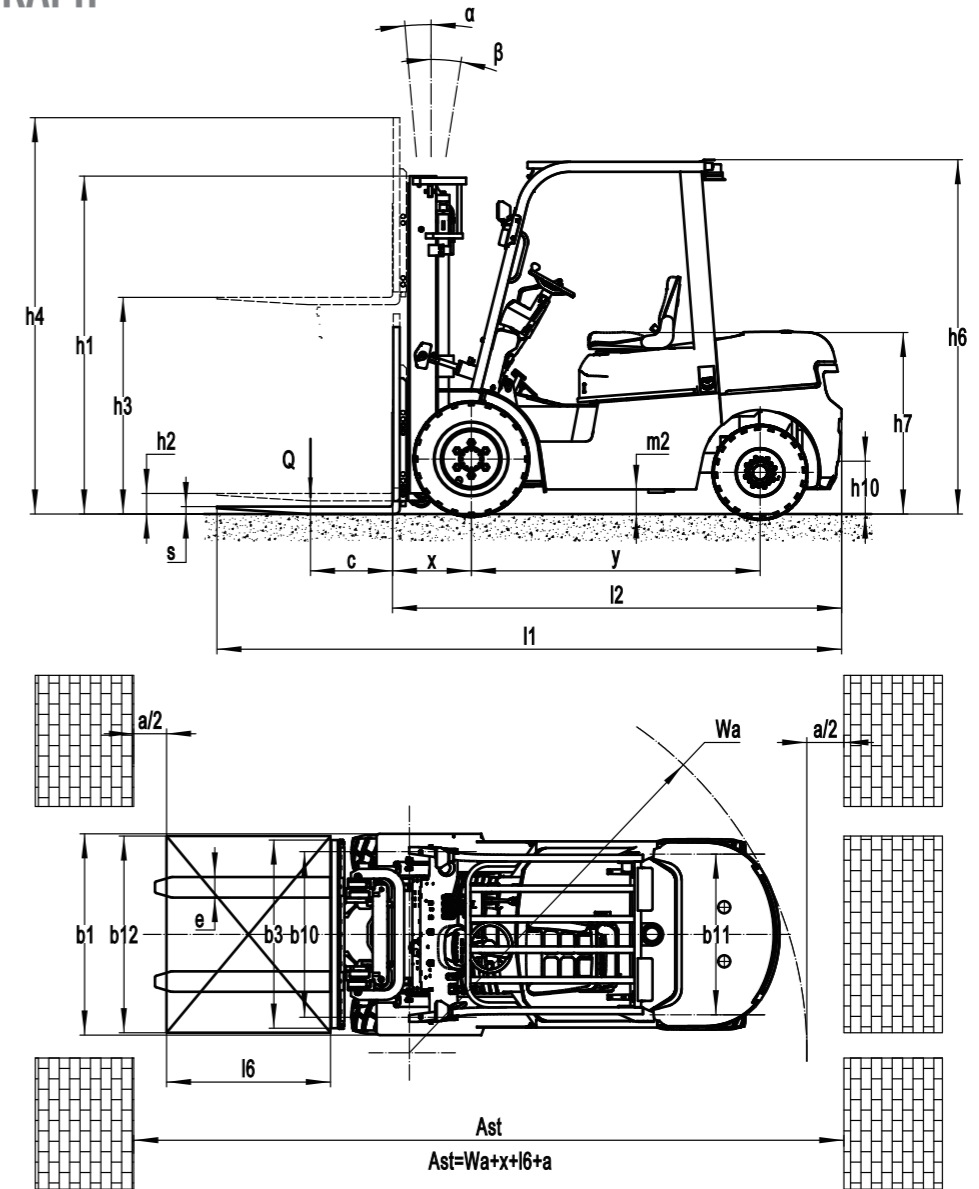
PRODUCT PARAMETERS

| | | | iMOW | | iMOW | |
|---------------------|------------------|---|-------------------------------------|--------|--------------|--------------|
| | | | ICE301 | ICE351 | ICE301 | ICE351 |
| Distinguishing mark | 1.1 | Manufacturer | | | iMOW | iMOW |
| | 1.2 | Model designation | | | ICE301 | ICE351 |
| | 1.3 | Drive | | | Electric | Electric |
| | 1.4 | Operator type | | | Seated | Seated |
| | 1.5 | Load capacity | Q | kg | 3000 | 3500 |
| | 1.6 | Load center distance | c | mm | 500 | 500 |
| | 1.8 | Load distance, centre of drive axle to fork | x | mm | 481 | 481 |
| | 1.9 | Wheelbase | y | mm | 1750 | 1810 |
| | Service weight | 2.1 | Service weight | | | 4080 |
| 2.2 | | Axle loading, laden front/rear | | | 6420/660 | 7100/960 |
| 2.3 | | Axle loading, unladen front/rear | | | 1740/2340 | 1670/2890 |
| Tyre/chassis | 3.1 | Tyre type | | | Pneumatic | Pneumatic |
| | 3.2 | Tyre size, front | | | 28X9-15-14PR | 28X9-15-14PR |
| | 3.3 | Tyre size, rear | | | 6.50-10-10PR | 6.50-10-10PR |
| | 3.5 | Wheels, number front/rear (x=drive wheels) | | mm | 2x/2 | 2x/2 |
| | 3.6 | Tread width, front | b10 | mm | 1010 | 1010 |
| | 3.7 | Tread width, rear | b11 | mm | 980 | 980 |
| Dimensions | 4.1 | Tilt of mast/fork carriage forward/backward | α/β | ° | 6/10 | 6/10 |
| | 4.2 | Retracted mast height | h1 | mm | 2070 | 2070 |
| | 4.3 | Free lift | h2 | mm | 120 | 120 |
| | 4.4 | Lift height | h3 | mm | 3000 | 3000 |
| | 4.5 | Height, mast extended | h4 | mm | 4110 | 4110 |
| | 4.7 | Height of overhead guard (cabin) | h6 | mm | 2160 | 2190 |
| | 4.8 | Seat height/standing height | h7 | mm | 1130 | 1130 |
| | 4.12 | Tow coupling height | h10 | mm | 320 | 320 |
| | 4.19 | Overall length | l1 | mm | 3780 | 3940 |
| | 4.20 | Length to face of forks | l2 | mm | 2710 | 2870 |
| | 4.21 | Overall width | b1/b2 | mm | 1230 | 1230 |
| | 4.22 | Fork dimensions | s/e/l | mm | 45×125×1070 | 50×125×1070 |
| | 4.23 | A,B Fork carriage class/type A, B | | | 3A | 3A |
| | 4.24 | Fork carriage width | b3 | mm | 1150 | 1150 |
| | Performance data | 4.31 | Ground clearance, laden, below mast | m1 | mm | 120 |
| 4.32 | | Ground clearance, center of wheelbase | m2 | mm | 150 | 150 |
| 4.34.1 | | Aisle width for pallets 1000×1200 crossways | Ast | mm | 4181 | 4326 |
| 4.34.2 | | Aisle width for pallets 800×1200 crossways | Ast | mm | 4381 | 4526 |
| 4.35 | | Turning radius | Wa | mm | 2500 | 2645 |
| 5.1 | | Travel speed, laden/unladen | | km/h | 11/12 | 11/12 |
| 5.2 | | Lifting speed, laden/unladen | | m/s | 0.29/0.36 | 0.26/0.34 |
| 5.3 | | Lowering speed, laden/unladen | | m/s | 0.4/0.43 | 0.4/0.43 |
| 5.5 | | Drawbar pull, laden/unladen | | N | — | — |
| 5.6 | | Max. drawbar pull, laden/unladen | | N | — | — |
| Electric-engine | 5.8 | Max. gradeability, laden/unladen | | % | 15/15 | 15/15 |
| | 5.10 | Service brake | | | Hydraulic | Hydraulic |
| | 5.11 | Parking brake | | | Mechanical | Mechanical |
| | 6.1 | Drive motor rating S2 60 min | | kW | 10 | 10 |
| | 6.2 | Lift motor rating at S3 15% | | kW | 12 | 12 |
| | 6.4 | Battery voltage/nominal capacity | | V/Ah | 80/205 | 80/280 |
| Additional data | 6.5 | Battery weight | | kg | — | — |
| | 8.1 | Type of drive control | | | AC | AC |
| | 10.5 | Steering design | | | Hydraulic | Hydraulic |
| | 10.7 | Sound pressure level at the driver's ear | | dB(A) | < 74 | < 74 |

MAST OPTION

| Mast types | Lift height (h3) | Height, Mast | | Height, Free lift(h2) | | |
|-----------------|------------------|--------------------------|---------------------------|-----------------------|-------------|---------------|
| | | Height, mast lowered(h1) | Height, mast extended(h4) | | No shelving | With shelving |
| | | | No shelving | With shelving | | |
| mm | mm | mm | mm | mm | mm | |
| 2-Standard Mast | 2700 | 1920 | 3270 | 3810 | 120 | 120 |
| | 3000 | 2070 | 3570 | 4110 | 120 | 120 |
| | 3300 | 2220 | 3690 | 4410 | 120 | 120 |
| | 3500 | 2320 | 3890 | 4610 | 120 | 120 |
| | 3600 | 2370 | 3990 | 4710 | 120 | 120 |
| | 4000 | 2620 | 4040 | 5110 | 120 | 120 |
| | 4300 | 2770 | 4340 | 5410 | 120 | 120 |
| | 4500 | 2870 | 4290 | 5610 | 120 | 120 |
| 2-Free Mast | 2500 | 1805 | 2220 | 3610 | 1210 | 560 |
| | 2700 | 1905 | 2320 | 3810 | 1310 | 660 |
| | 3000 | 2055 | 2620 | 4110 | 1460 | 810 |
| | 3300 | 2205 | 3870 | 4410 | 1610 | 960 |
| | 3600 | 2355 | 4020 | 4710 | 1760 | 1110 |
| 3-Free Mast | 4300 | 2095 | 4910 | 5410 | 1360 | 730 |
| | 4500 | 2175 | 5070 | 5610 | 1460 | 810 |
| | 4800 | 2280 | 5375 | 5910 | 1565 | 915 |
| | 5000 | 2365 | 5570 | 6110 | 1610 | 960 |
| | 5500 | 2615 | 6150 | 6610 | 1770 | 1120 |
| | 6000 | 2865 | 6570 | 7110 | 2020 | 1370 |

LINE GRAPH



OPTION

| No. | Optional items | ICE301 | ICE351 |
|-----|---------------------------|---|---|
| 1 | Fork length | ●1070○customization consultation | ●1070○customization consultation |
| 2 | Attachments | ●NA○integrated side shifter○external side shifter ○ customization consultation | ●NA○integrated side shifter○external side shifter ○ customization consultation |
| 3 | Overhead guard | ●normal overhead guard ○customization consultation | ●normal overhead guard ○customization consultation |
| 4 | Front wheel configuration | ●single○dual | ●single○dual |
| 5 | Tyre type | ●pneumatic○Solid rubber tyre ○Environmental solid tyre | ●pneumatic○Solid rubber tyre ○Environmental solid tyre |
| 6 | Front light | ●Front light○LED front light | ●Front light○LED front light |
| 7 | Auxiliary light | ●NA○Back light | ●NA○Back light |
| 8 | Safety components | ●NA○Fire extinguisher○blue light | ●NA○Fire extinguisher○blue light |
| 9 | Seat | ●normal seat○suspension seat | ●normal seat○suspension seat |
| 10 | Cockpit | ●NA○Cockpit○With fan heater○With front windshield wiper○ With rear windshield wiper | ●NA○Cockpit○With fan heater○With front windshield wiper○ With rear windshield wiper |
| 11 | Rearview | ●single○dual | ●single○dual |
| 12 | Air fan | ●NA○single | ●NA○single |
| 13 | Charging | ●80V65A○80V130A○80V200A○80V35A (integrated) ○ 80V60A (integrated) | ●80V65A○80V130A○80V200A○80V35A (integrated) ○ 80V60A (integrated) |
| 14 | Li-Ion battery | ●80V205Ah○80V280Ah○80V410Ah | ●80V280AH○80V410AH |

RATED CAPACITY

